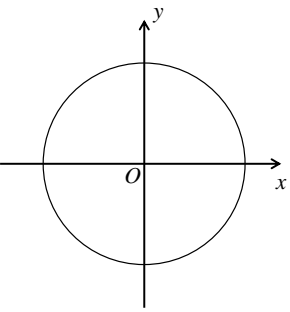
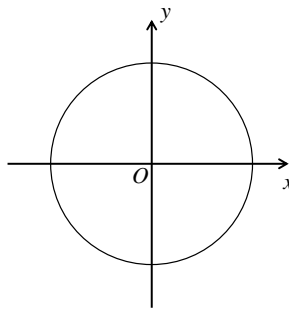
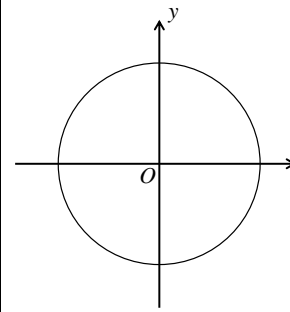
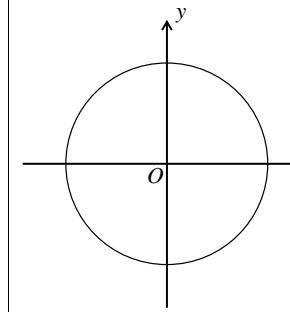
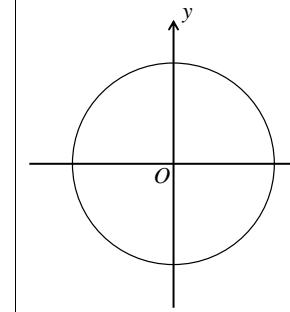
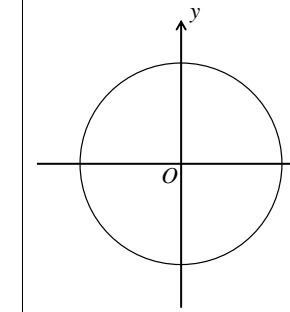
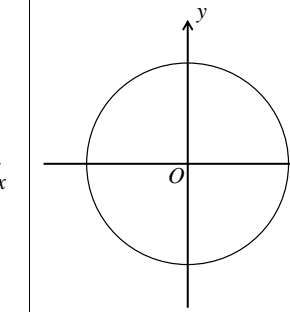
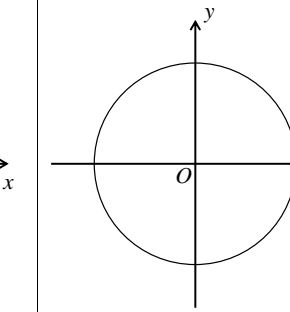
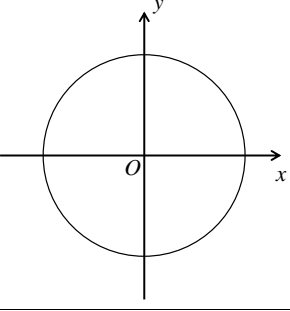
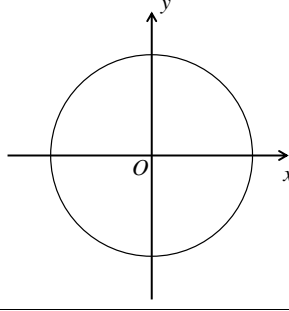
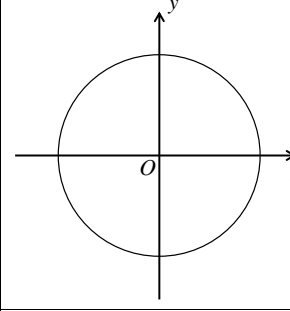
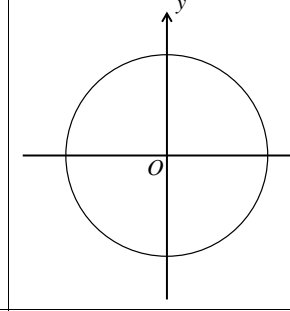
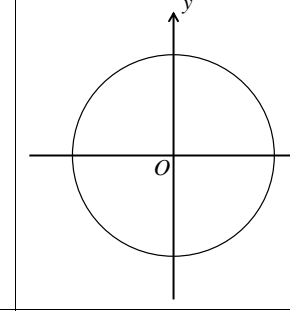
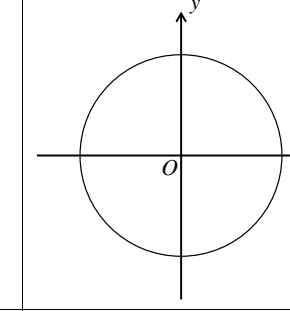
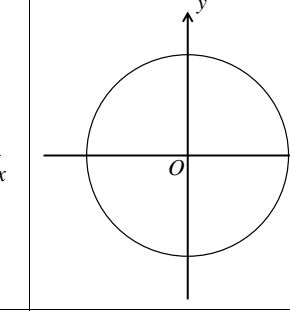
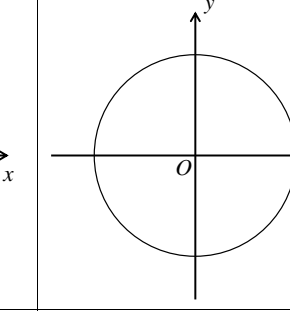


授業プリント

- $0^\circ \leq \theta < 360^\circ$ を考えてみると・・・
- xy 座標空間で考えると, 三角比は次のように表せる $(x, y) = (r \cos \theta, r \sin \theta)$.

0°	30°	45°	60°	90°	120°	135°	150°
							
$\sin 0^\circ =$	$\sin 30^\circ =$	$\sin 45^\circ =$	$\sin 60^\circ =$	$\sin 90^\circ =$	$\sin 120^\circ =$	$\sin 135^\circ =$	$\sin 150^\circ =$
$\cos 0^\circ =$	$\cos 30^\circ =$	$\cos 45^\circ =$	$\cos 60^\circ =$	$\cos 90^\circ =$	$\cos 120^\circ =$	$\cos 135^\circ =$	$\cos 150^\circ =$
$\tan 0^\circ =$	$\tan 30^\circ =$	$\tan 45^\circ =$	$\tan 60^\circ =$	$\tan 90^\circ =$	$\tan 120^\circ =$	$\tan 135^\circ =$	$\tan 150^\circ =$

180°	210°	225°	240°	270°	300°	315°	330°
							
$\sin 180^\circ =$	$\sin 210^\circ =$	$\sin 225^\circ =$	$\sin 240^\circ =$	$\sin 270^\circ =$	$\sin 300^\circ =$	$\sin 315^\circ =$	$\sin 330^\circ =$
$\cos 180^\circ =$	$\cos 210^\circ =$	$\cos 225^\circ =$	$\cos 240^\circ =$	$\cos 270^\circ =$	$\cos 300^\circ =$	$\cos 315^\circ =$	$\cos 330^\circ =$
$\tan 180^\circ =$	$\tan 210^\circ =$	$\tan 225^\circ =$	$\tan 240^\circ =$	$\tan 270^\circ =$	$\tan 300^\circ =$	$\tan 315^\circ =$	$\tan 330^\circ =$